

WORKSHEET N°1 FIFTH GRADERS Unit 1: HELLO

NAME: _____ CLASS: _____

1. Complete the Passport with your information.



Language Passport

PASSPORT

Name: _____

Family: _____

Likes: _____

Birthday: _____

Pets: _____

2. Complete the time.



1 _____



2 _____



3 _____



4 _____



It's ten o'clock.



It's half past eleven.

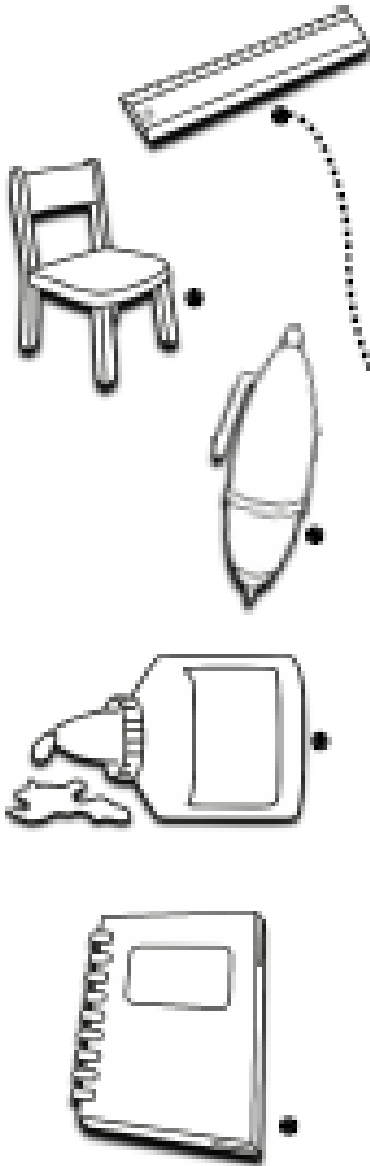


It's a quarter to two.



It's a quarter to five.

3. Match the pictures and the school objects



- Chair •
- Pencil •
- Rubber •
- Ruler •
- Pen •
- Crayon •
- Book •
- Glue •
- Computer •
- Notebook •

